

8100 Series MasterFlush™ Toilets

Great Performance. Great Value.



For a powerful macerator toilet in an easy-to-install, easy-to-use fixture, the SeaLand 8100 series of MasterFlush™ toilets offers an alternative with appealing value. The electric toilet and flush control panel are the only components to install – no external control module is necessary.

SeaLand 8100 series macerator toilets provide two flush settings to help manage water use. The “Normal” flush setting adds a small amount of water to the bowl after every flush, and “Dry Bowl” flushing does not add water to the bowl. Because flushes are controlled by how long the flush button is pressed, the average consumption per flush is estimated at 0.6 gallons (2.3 liters). Water can also be added to the bowl when desired.



User comfort is enhanced with a solid wood, elongated seat. Two heights are available – standard residential toilet height and a low-profile design that accommodates raised platform installations. Each model includes discharge fittings for through-the-floor or above-floor plumbing.

Key Benefits

- Powerful macerator flush.
- Small footprint – fits in most any head compartment.
- Standard and low-profile heights.
- Through-the-floor and through-the-wall discharge fittings.
- Solid wood seat with elongated opening.
- “Normal” and “Dry Bowl” flush options.
- Convenient electronic flush switch panel.
- 12 V DC or 24 V DC operation.
- Available in white.

SeaLand[®]
by Dometic GROUP

Specifications for 8100 Series MasterFlush™ Toilets

| Model | Description | Voltage |
|-------|--|---------|
| 8112 | Low-profile macerator toilet with flush switch panel | 12 V DC |
| 8116 | Low-profile macerator toilet with flush switch panel | 24 V DC |
| 8152 | Standard-height macerator toilet with flush switch panel | 12 V DC |
| 8156 | Standard-height macerator toilet with flush switch panel | 24 V DC |

Specifications subject to change without notice.

Minimum System Requirements

| | | |
|--------------|-----------------|--|
| Electrical | Circuit breaker | 20 amps/12 V DC; 15 amps/24 V DC |
| | Wiring | 12 ga. (up to 20 ft./6.1 m from breaker) |
| Water Supply | Fitting | 0.5 in. NPT |
| | Flow rate | 2.0 gpm/7.6 lpm min. at toilet |
| Discharge | Fitting | 1.5 in. NPT |
| | Horizontal run* | 98 ft./30 m maximum |
| | Vertical run* | 9.8 ft./3 m maximum |
| | Tank capacity | 30 gal./114 liters recommended |

* Horizontal and vertical run distances are not cumulative. Check for adequate discharge flow if installation nears one of these limits.

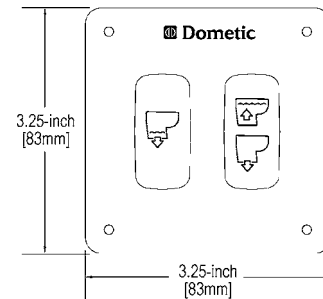
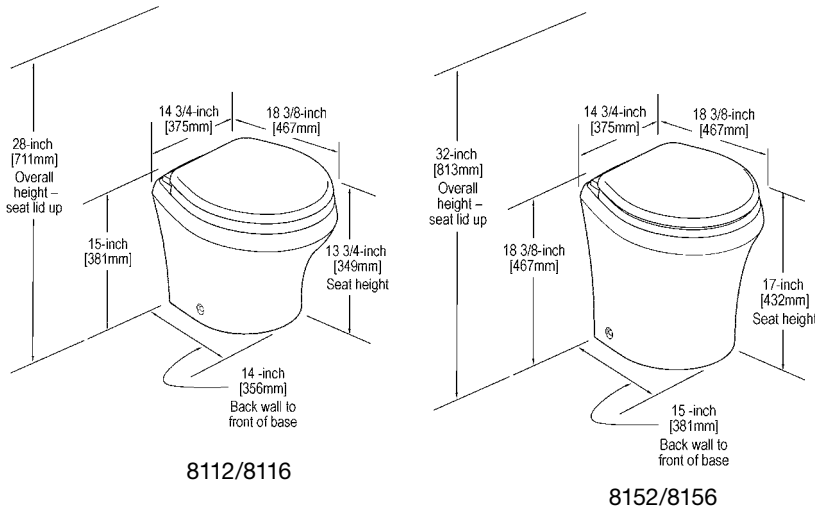
Specifications subject to change without notice.

MasterFlush Switch Panel



SeaLand 8100 series MasterFlush panel includes “normal flush” switch on left side, “add water” and “dry bowl flush” functions on right side.

Dimensions



Dealer:

DOMETIC CORPORATION, SANITATION DIVISION
 13128 SR 226, PO Box 38 | Big Prairie, OH 44611 USA | 330-496-3211 | Fax 330-496-3097
 www.DometicSanitation.com | SeaLand@DometicUSA.com

L-2912 REV 4/11

