

Solenoid Valve – Technical update



In 2015 Thetford Marine has launched a great new Solenoid valve design to even further improve its performance.

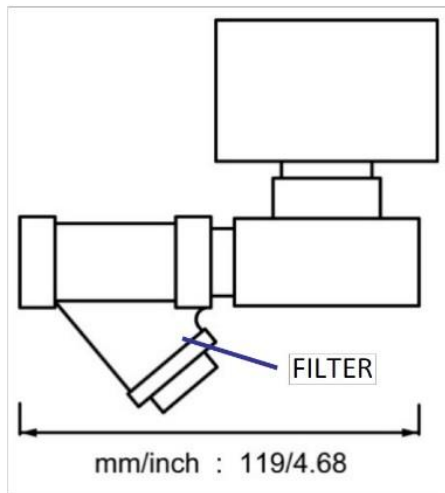
The new valve design will be standard pilot operated, therefore eliminating any potential hammer noise effect. As additional advantage is capable to manage higher system pressure conditions up to more than 7 bar and can be installed in any position, not necessary in vertical as before.

Extremely lighter than the previous brass design, it will contribute to saving weight overall along the plumbing system.

The installation is totally compatible with the previous one as a perfect drop-in replacement.

Moreover, the new valve design offers an incredible mounting flexibility thanks to the alternative option to be installed directly embedded in the toilet -connected to the inlet tube by using an optional adapter.

Solenoid Valve – Past solution



PREVIOUS PART: «CEME» SOLENOID VALVE

DIMENSION 120mmx85mm

WEIGHT 1KG

Only installed on the line



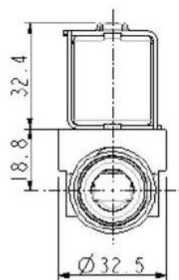
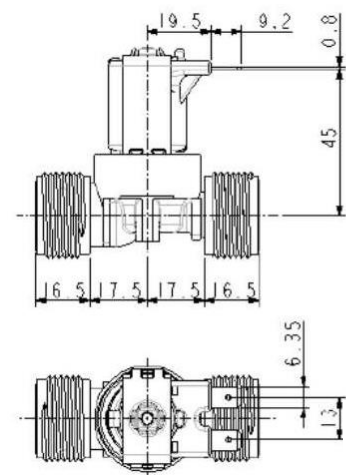
½" FEMALE IN

½" FEMALE
OUT

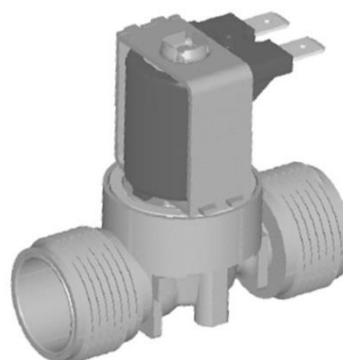
NEW CONCEPT: «INVENSYS» SOLENOID VALVE Dropin Replacement
DIMENSION: 80mmx60mm

WEIGHT 0,1KG

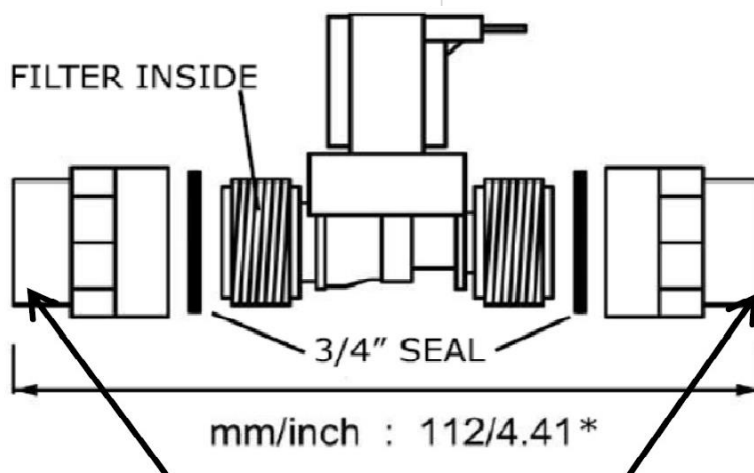
Installed on the plumbing line OR embedded in the toilet (with an optional adapter)



Dimensions in millimetres



FILTER INSIDE



FEMALE THREADED ADAPTER 1/2"

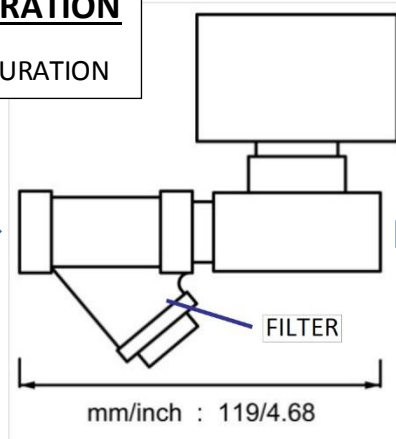
SOLENOID VALVE – TECHNICAL UPDATE SUMMARY

<<FLEXI & DESIGN LINE>>

SOLENOID CONFIGURATION

OLD CEME BRASS CONFIGURATION

IN ½ FEMALE
THREADED



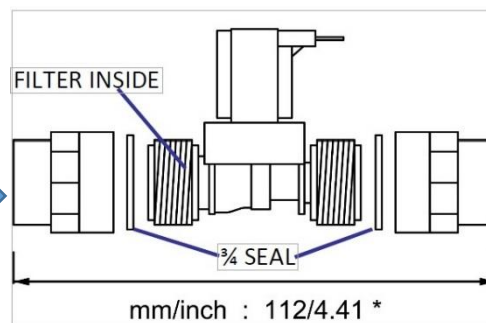
WEIGHT : 1000g



OUT ½ FEMALE
THREADED

NEW FUTURE INVENSYS CONFIGURATION (same Ceme connection)

IN ½ FEMALE
PLASTIC THREADED



WEIGHT : 125g

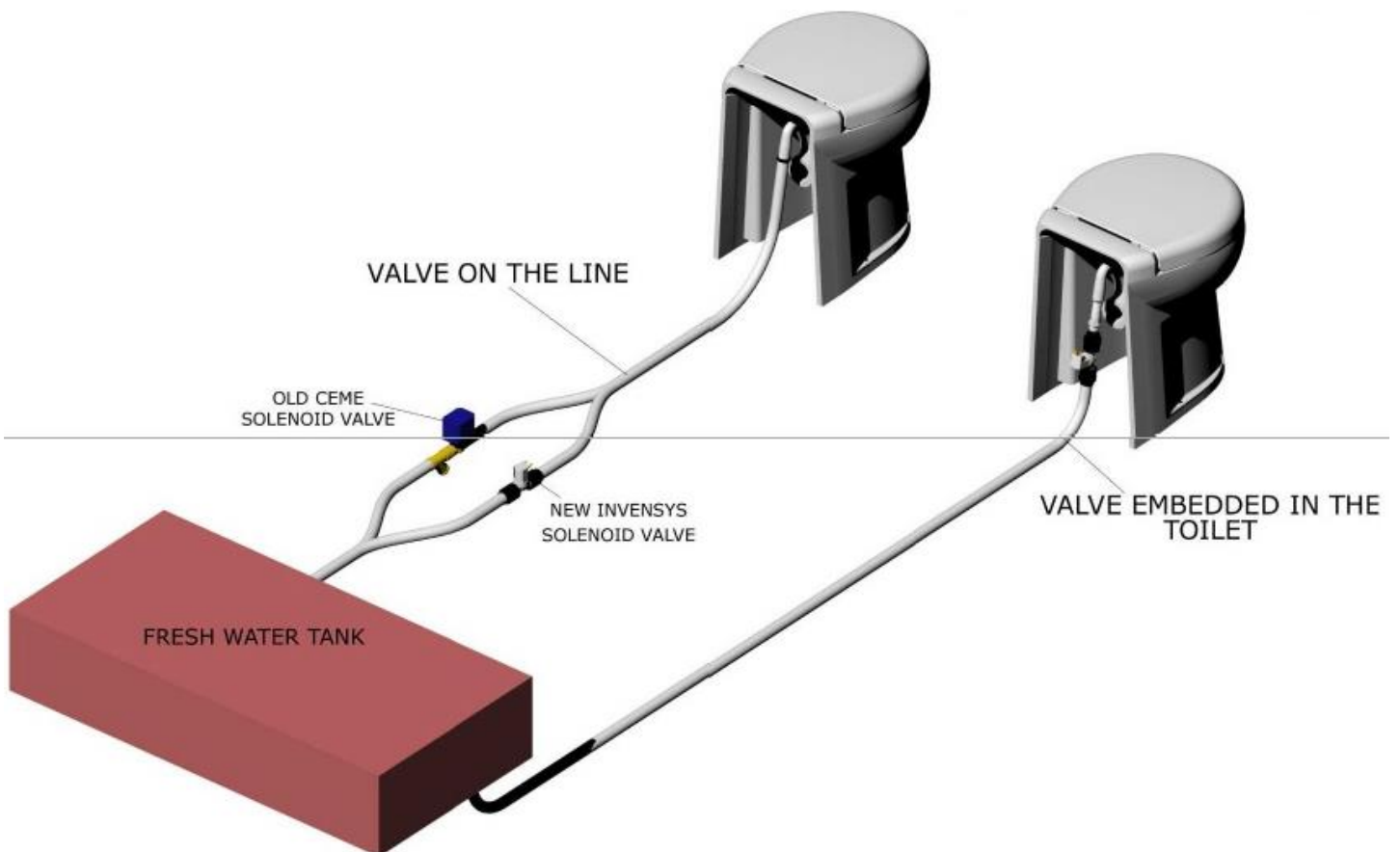


OUT ½ FEMALE
PLASTIC THREADED

ASSEMBLED

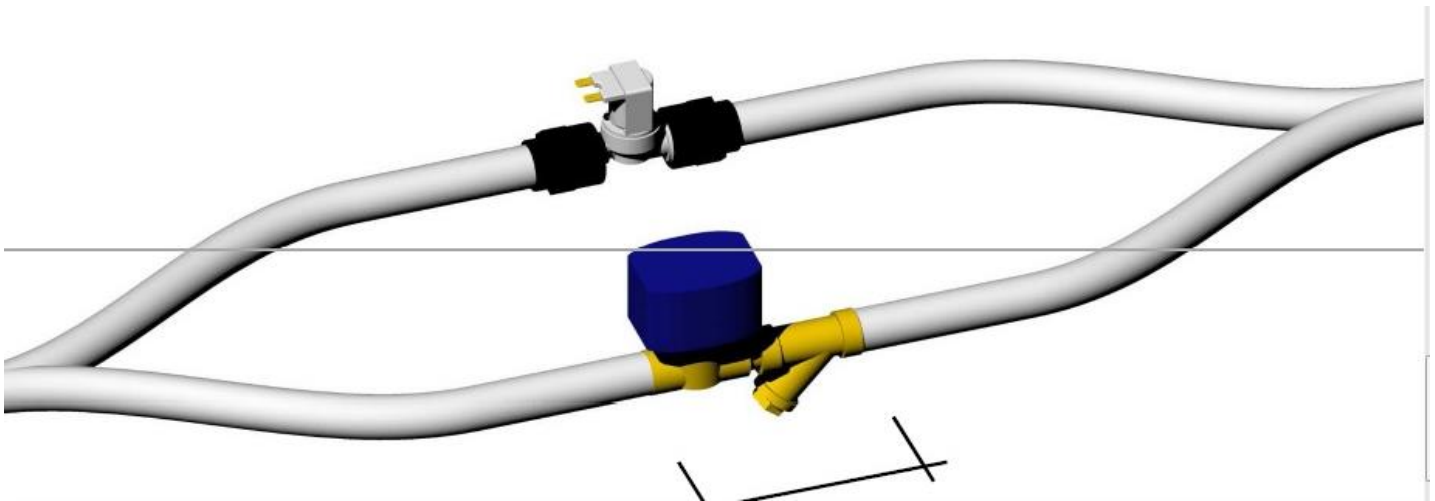
«INVENSYS» SOLENOID FLEXIBLE INSTALLATION

VALVE ON THE LINE or VALVE EMBEDDED IN THE TOILET (Optional adapter required)



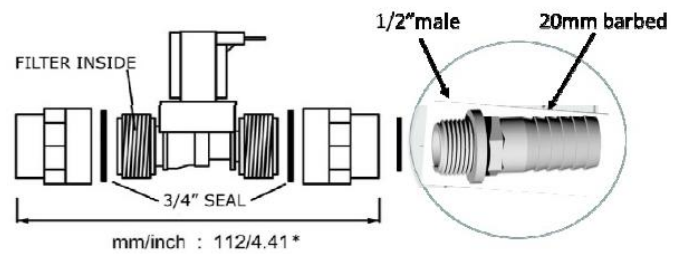
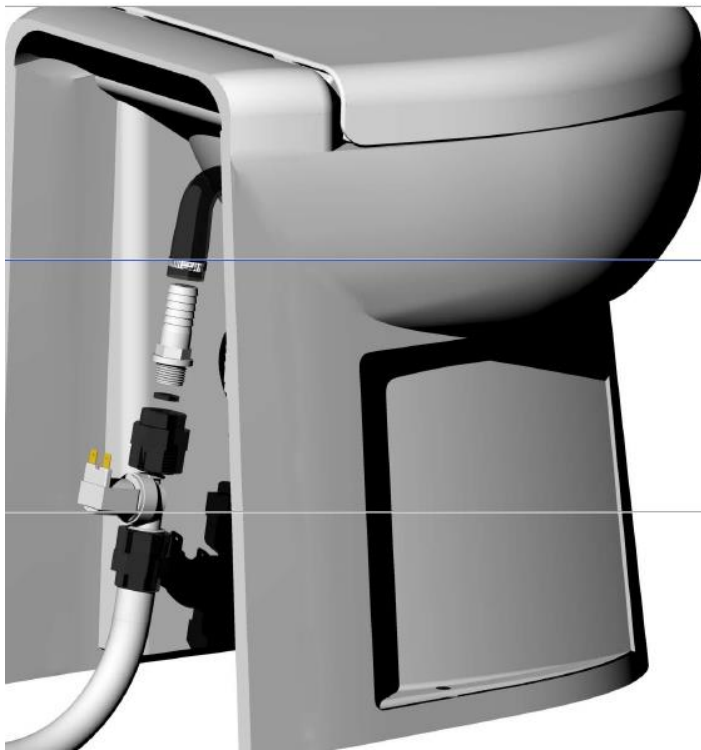
«INVENSYS» SOLENOID FLEXIBLE INSTALLATION

VALVE ON THE LINE
(Drop in Replacement of CEME Brass solenoid)



«INVENSYS» SOLENOID FLEXIBLE PLUMBING INSTALLATION

VALVE EMBEDDED IN THE TOILET (optional adapter required)



OPTIONAL
ADAPTER

«INVENSYS» SOLENOID ELECTRICAL INSTALLATION

