

1

2

3

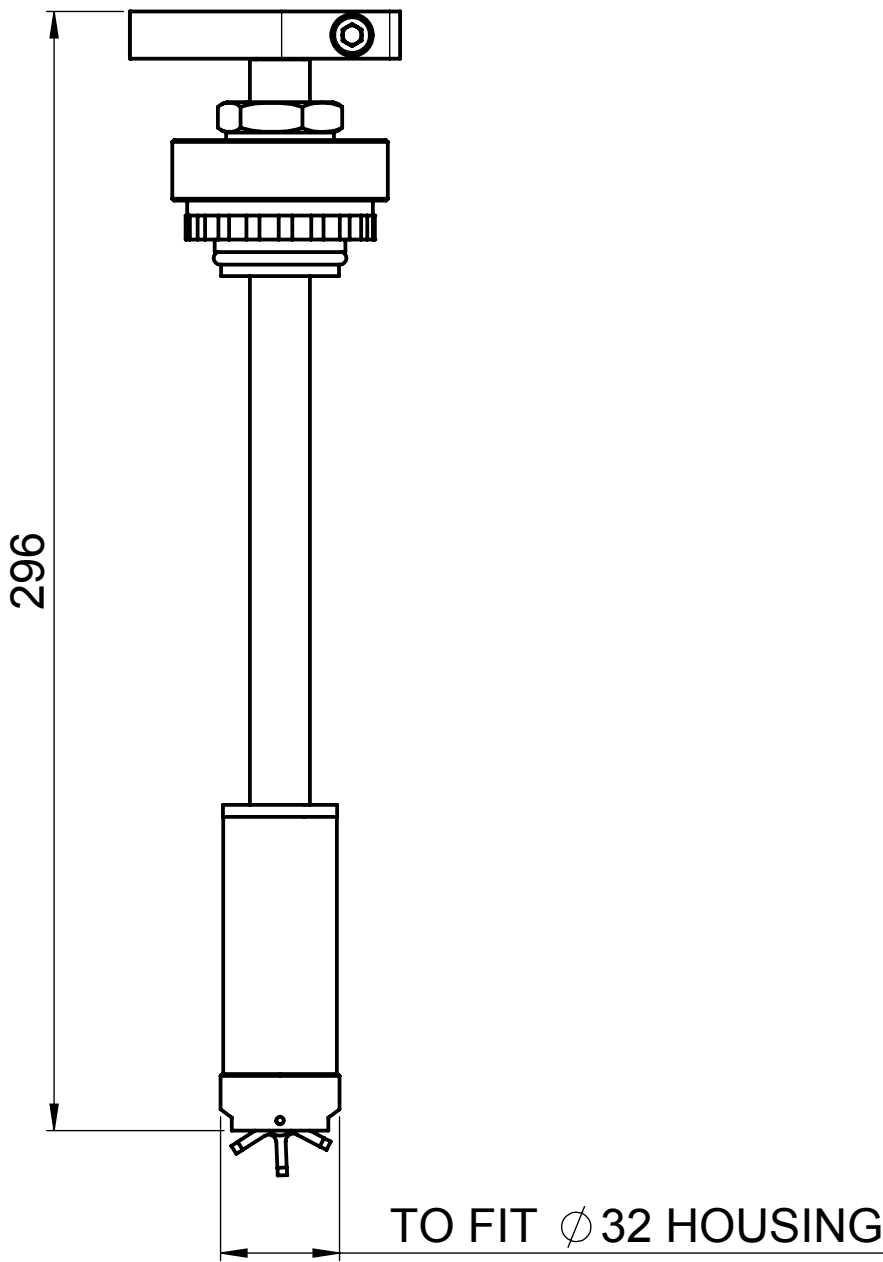
4

THE INFORMATION CONTAINED IN THIS DRAWING IS THE SOLE PROPERTY OF A + T INSTRUMENTS
ANY REPRODUCTION WITHOUT THE PERMISSION OF A + T INSTRUMENTS IS PROHIBITED

ALL DIMENSIONS IN mm. TOLERANCE UNLESS OTHERWISE STATED. DIMENSIONAL ± 0.2 ANGULAR $\pm 0.5^\circ$

A
B
C
D
E
F

A
B
C
D
E
F



A + T INSTRUMENTS

+44 (0)1590 718182

info@AandTinstruments.com

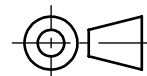
SHEET SIZE

CREATED BY

SHEET

DOC. TYPE

SCALE



A4

SR

1 of 1

ASSEMBLY

1:2

G

G

SPEED SENSOR

SOVS01-GA1_Rev A_Issued 11-02-16

1

2

3

4