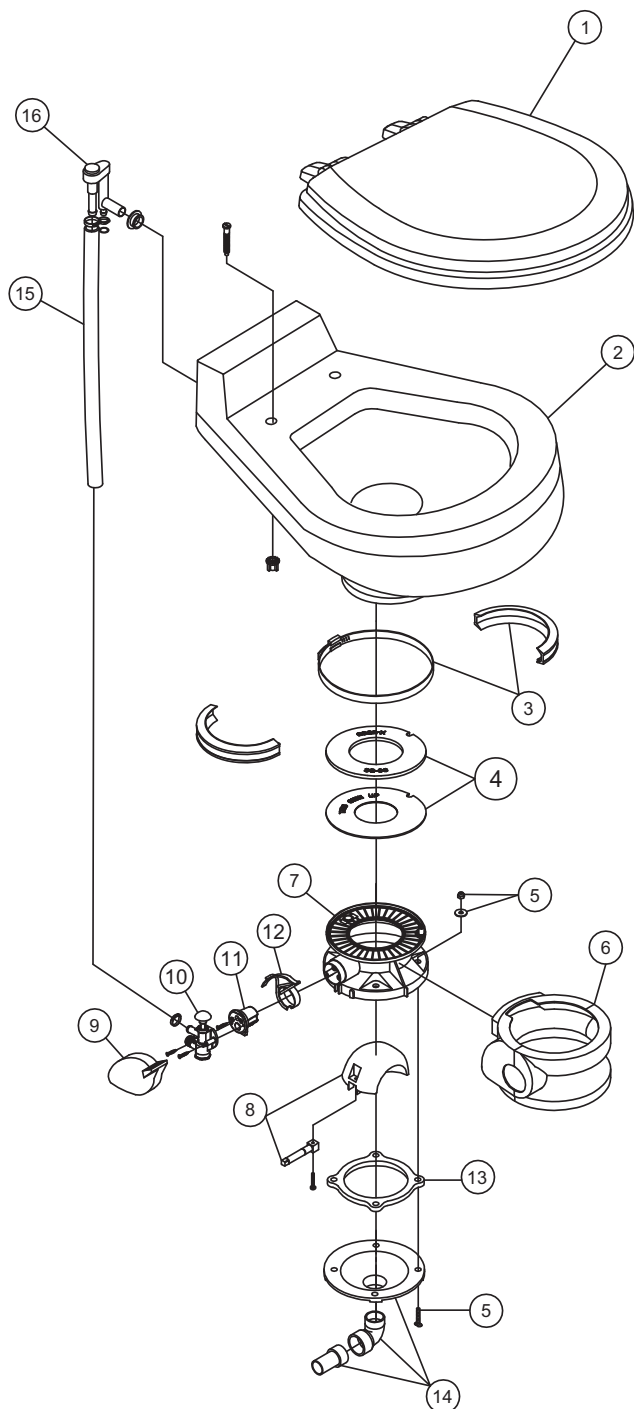


PARTS LIST: 806

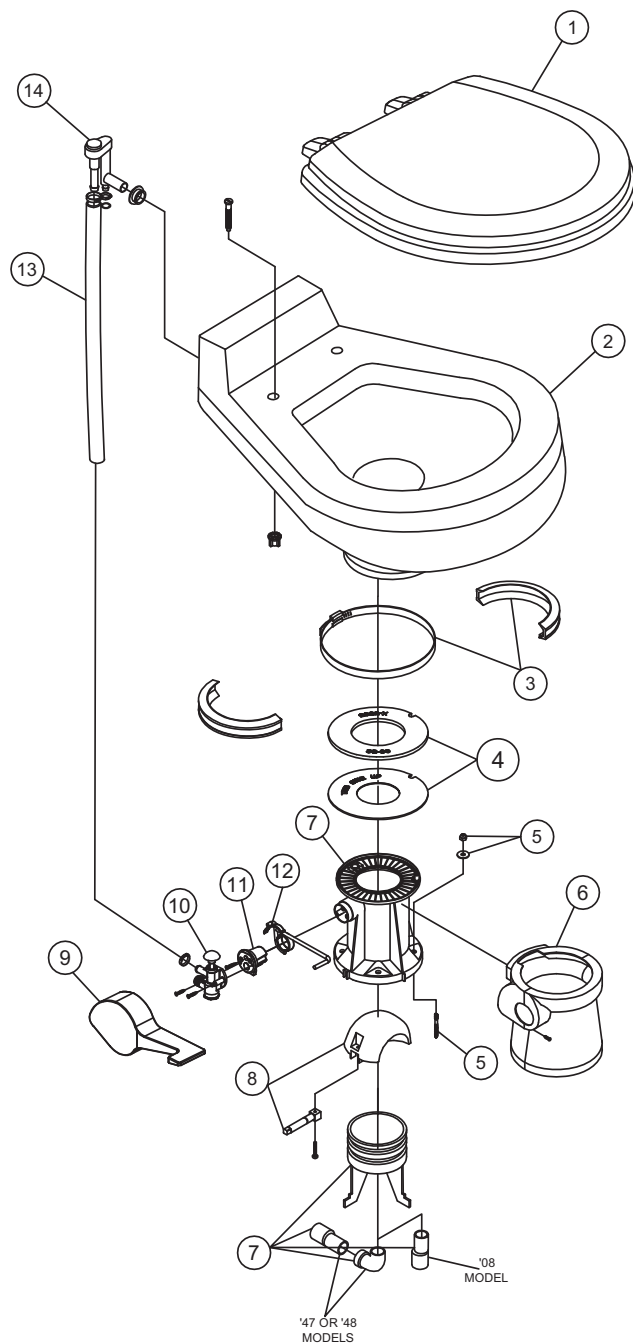


| ITEM | PART NO. | DESCRIPTION |
|------|-----------|---------------------------------------|
| 1 | 385344436 | SEAT ASSEMBLY, WHITE |
| | 385344437 | SEAT ASSEMBLY, BONE |
| 2 | 385310032 | CHINA BOWL KIT, WHITE |
| | 385310033 | CHINA BOWL KIT, BONE |
| 3 | 385310048 | BAND & HALF CLAMP KIT - BONE |
| | 385310025 | BAND & HALF CLAMP KIT - WHITE |
| 4 | 385311462 | KIT, BASE SEAL/2 SEALS |
| 5 | 385310064 | MOUNTING HARDWARE |
| 6 | 385310108 | PEDESTAL COVER KIT - WHITE |
| | 385310109 | PEDESTAL COVER KIT - BONE |
| 7 | 385310132 | BASE KIT- WHITE (inc items 3-14) |
| | 385310133 | BASE KIT- BONE (inc items 3-14) |
| 8 | 385318162 | KIT,BALL,SHAFT & CART-(inc. item 11) |
| 9 | 385310117 | PEDAL COVER - WHITE |
| | 385310118 | PEDAL COVER - BONE |
| 10 | 385314349 | WATER VALVE - KIT |
| 11 | 385236096 | SPRING CARTRIDGE - KIT |
| 12 | 385310579 | PEDAL, CARTRIDGE, KIT (inc. item 11) |
| 13 | 385310063 | FLOOR FLANGE, (inc item 5) |
| 14 | 385318864 | KIT, FUNNEL 506/806/706 (inc. item 5) |
| 15 | 385340177 | HOSE, SUPPLY - BONE |
| | 385345377 | HOSE, SUPPLY - WHITE |
| 16 | 385316906 | VACUUM BREAKER, KIT |



Dometic Corporation - Sanitation Systems
13128 State Rt. 226, P.O. Box 38
Big Prairie, OH 44611-0038 USA
Telephone: 330-496-3211
Fax: 330-496-3097
Email: sealand@dometicus.com

PARTS LIST: 808,847, 848



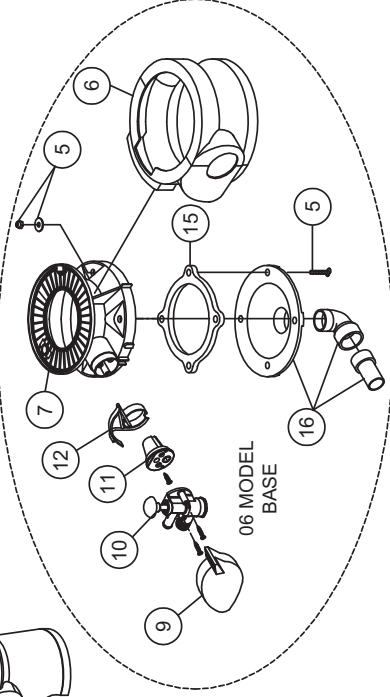
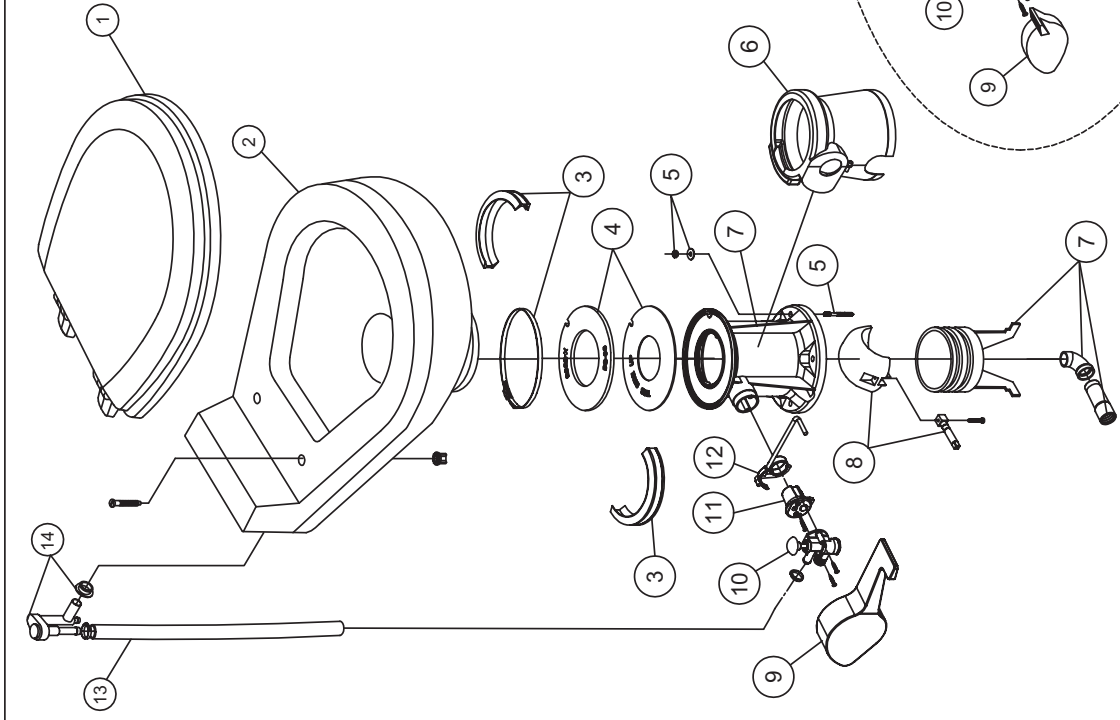
| ITEM | PART NO. | DESCRIPTION |
|-----------|---|--|
| 1 | 385344436 | SEAT ASSEMBLY, WHITE |
| | 385344437 | SEAT ASSEMBLY, BONE |
| 2 | 385310032 | CHINA BOWL KIT, WHITE |
| | 385310033 | CHINA BOWL KIT, BONE |
| 3 | 385310048 | BAND & HALF CLAMP KIT - BONE |
| | 385310025 | BAND & HALF CLAMP KIT - WHITE |
| 4 | 385311462 | KIT, BASE SEAL/2 SEALS |
| 5 | 385316323 | MOUNTING HARDWARE |
| 6 | 385310111 | PEDESTAL COVER KIT - WHITE '08 MODEL |
| | 385310112 | PEDESTAL COVER KIT - BONE '08 MODEL |
| | 385310674 | PEDESTAL COVER KIT - WHITE '47 MODEL |
| | 385310613 | PEDESTAL COVER KIT - BONE '47 MODEL |
| | 385310136 | PEDESTAL COVER KIT - WHITE '48 MODEL |
| | 385310137 | PEDESTAL COVER KIT - BONE '48 MODEL |
| 7 | 385310126 | BASE KIT- WHITE (inc items 3-12) '08 MODEL |
| | 385310127 | BASE KIT- BONE (inc items 3-12) '08 MODEL |
| | 385310665 | BASE KIT- WHITE (inc items 3-12) '47 MODEL |
| | 385310614 | BASE KIT- BONE (inc items 3-12) '47 MODEL |
| | 385310129 | BASE KIT- WHITE (inc items 3-12) '48 MODEL |
| 385310130 | BASE KIT- BONE (inc items 3-12) '48 MODEL | |
| 8 | 385318162 | KIT,BALL,SHAFT & CART- WHITE(inc. item 11) |
| 9 | 385310114 | PEDAL COVER - WHITE |
| | 385310115 | PEDAL COVER - BONE |
| 10 | 385314349 | WATER VALVE - KIT |
| 11 | 385236096 | SPRING CARTRIDGE - KIT |
| 12 | 385310578 | PEDAL, CARTRIDGE, KIT (inc. item 11) |
| 13 | 385340177 | HOSE, SUPPLY - BONE |
| | 385345377 | HOSE, SUPPLY - WHITE |
| 14 | 385316906 | VACUUM BREAKER, KIT |
| N/S | 385318741 | KIT, FUNNEL '08 |

| TOILET MODEL | DISCHARGE LOCATION |
|--------------|--------------------|
| 808 | THROUGH THE FLOOR |
| 847 | OPPOSITE PEDAL |
| 848 | REAR OF TOILET |



Dometic Corporation - Sanitation Systems
13128 State Rt. 226, P.O. Box 38
Big Prairie, OH 44611-0038 USA
Telephone: 330-496-3211
Fax: 330-496-3097
Email: sealand@dometicusa.com

PARTS LIST: VACUFLUSH MODELS 1006 - 1008 - 1047 - 1048 - 1049



| ITEM | PART NUMBER | | DESCRIPTION |
|------|-------------|----------------|---|
| | 1008 | 1047 1048 1049 | |
| 1 | 385344436 | | SEAT ASSEMBLY, WHITE |
| | 385344437 | | SEAT ASSEMBLY, BONE |
| 2 | 385310615 | | CHINA BOWL KIT, WHITE |
| | 385310616 | | CHINA BOWL KIT, BONE |
| 3 | 385310025 | | BAND AND HALF CLAMP, KIT WHITE |
| | 385310048 | | BAND AND HALF CLAMP, KIT BONE |
| 4 | 385311462 | | SEAL REPLACEMENT - KIT |
| 5 | 385310064 | | MOUNTING HARDWARE |
| | 385310111 | 385310674 | PEDESTAL COVER KIT, WHITE |
| | 385310112 | 385310613 | PEDESTAL COVER KIT, BONE |
| 6 | 385310600 | 385310746 | PEDESTAL COVER KIT, EBONY |
| | 385310132 | 385310665 | BASE KIT, WHITE (inc items 3-12) |
| | 385310133 | 385310614 | BASE KIT, BONE (inc items 3-12) |
| 7 | 385310607 | N/A | BASE KIT, EBONY (inc items 3-12) |
| 8 | 385318162 | | KIT,BALL SHAFT & CART, WHITE (inc. item 11) |
| | 385310177 | | KIT,BALL SHAFT & CART, EBONY (inc. item 11) |
| 9 | 385310117 | 385310111 | PEDAL COVER, WHITE |
| | 385310118 | 385310115 | PEDAL COVER, BONE |
| | 385310593 | 385310175 | PEDAL COVER, EBONY |
| 10 | 385314349 | | KIT, WATER VALVE |
| 11 | 385236096 | | KIT, SPRING CARTRIDGE |
| 12 | 385310579 | 385310578 | KIT, LEVER/CART- BASE |
| | 385340177 | | HOSE, SUPPLY - BONE. |
| 13 | 385345377 | | HOSE, SUPPLY - WHITE |
| 14 | 385316906 | | VACUUM BREAKER, KIT |
| 15 | 385310063 | | KIT, FLOOR FLANGE SEAL |
| 16 | 385318864 | | KIT, FUNNEL 506/806/706 |
| N/S | 385318741 | | KIT, FUNNEL '08 |

| TOILET MODEL | DISCHARGE LOCATION |
|--------------|--------------------|
| 1008 | THROUGH THE FLOOR |
| 1047 | OPPOSITE PEDAL |
| 1048 | REAR OF TOILET |
| 1049 | UNDER PEDAL |
| 1006 | THROUGH THE FLOOR |

Dometic
 Dometic Corporation - Sanitation Systems
 13128 State Rt. 226, P.O. Box 38
 Big Prairie, OH 44611-0038 USA
 Telephone: 330-496-3211
 Fax: 330-496-3097
 Email: sealand@dometicus.com